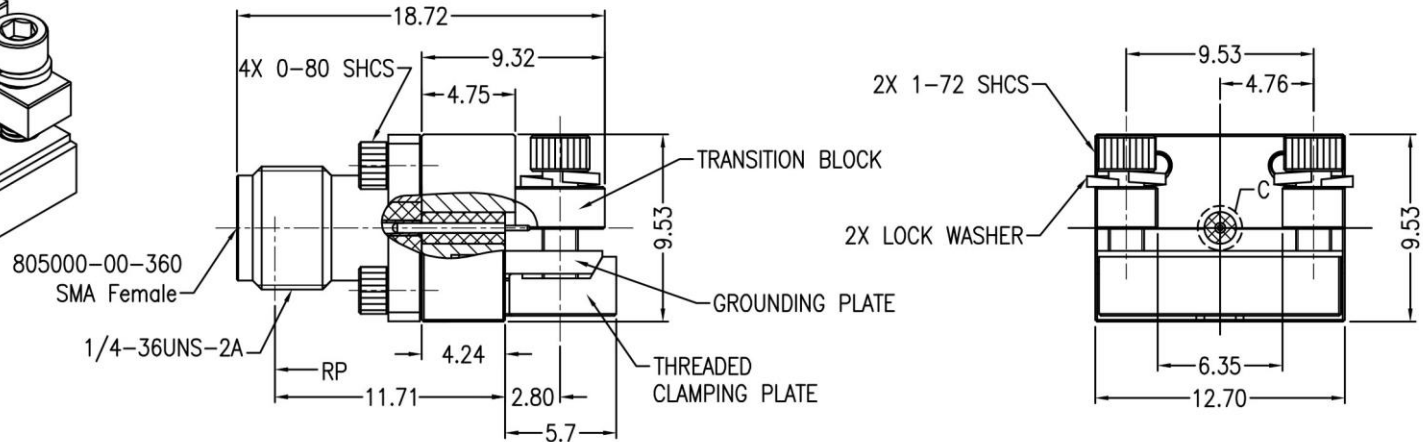
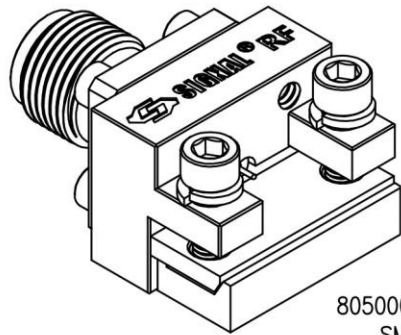


NOTICE:	ALL PARTS MUST MEET TO RoHS REQUIREMENTS	CUSTOMER OUTLINE DRAWING
RoHS	✓	

REV.	DESCRIPTION	ECN NO.	NAME	DATE
S0	FIRST EDITION	N/A	XU	2018/12/24



1. MATERIALS AND PLATING

BODY: Passivation of stainless steel
CONTACT PIN: Beryllium copper with gold 30u" plating
INSULATOR: PTFE ASTM-D-1710

2. ELECTRICAL CHARACTERISTICS

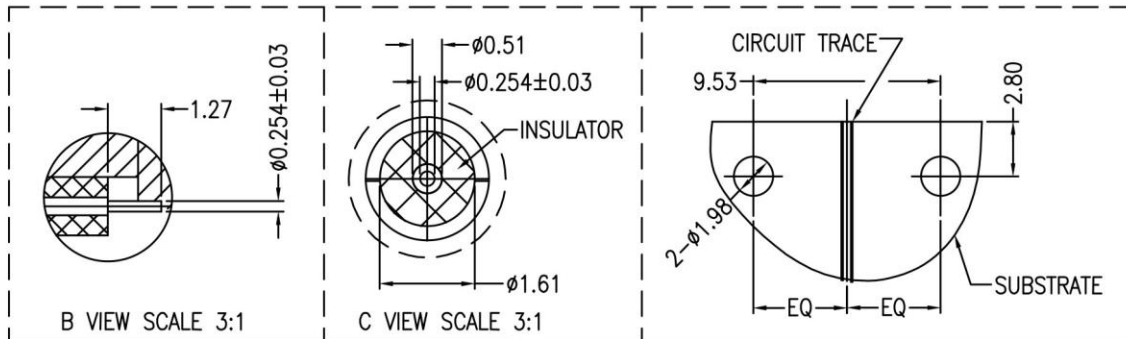
Impedance:	50 ohm
Frequency range:	0~26.5GHz
Voltage rating:	335V(rms)
Dielectric withstanding voltage:	>750V
Contact resistance:	<3.0mΩ
Center contact:	<2.0mΩ
Outer contact:	>5000MΩ
Insulation resistance:	N/A
Insertion loss:	N/A
RF-leakage:	N/A
VSWR:	<1.40
3rd Intermodulation:	N/A

3. MECHANICAL CHARACTERISTICS

Force to engage and disengage:	N/A
Center contact retention force:	>6 lbs
Recommended coupling torque:	N/A
Coupling nut retention force:	>60 lbs
Durability:	>500 cycles

4. ENVIRONMENTAL CHARACTERISTICS

Temperature range: -55°C~+165°C



TITLE:
50ohm SMA Female End Launch Connector

APPROVED:	CUSTOMER P/N:	DRAWING NO.	TOLERANCES ARE:
CHECKED:	SCALE: 3 : 1	ORDER NO. 805000-00-637	DECIMALES ANGLES .x ±0.5 x.° ±5.0° .xx ±0.3 .x° ±3.0°
DRAWING: XU	DATE: 2018-12-24	THIRD ANGLE PROJECTION	SIZE: A4 UNITS: mm SCALE: SHEET: 1 OF 2