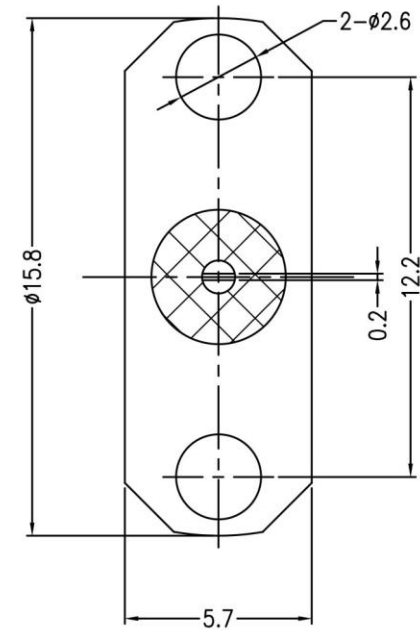
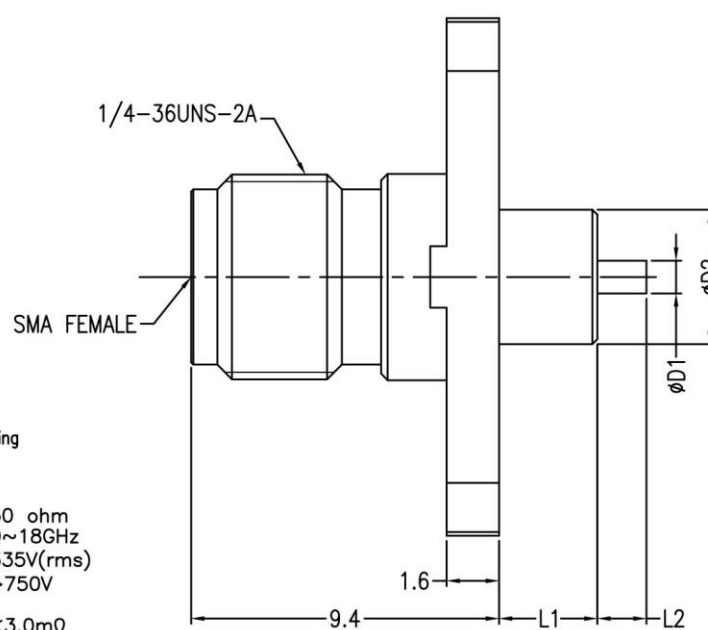


NOTICE:	ALL PARTS MUST MEET TO RoHS REQUIREMENTS	CUSTOMER OUTLINE DRAWING
RoHS	<input checked="" type="checkbox"/>	

REV.	DESCRIPTION	ECN NO.	NAME	DATE
S0	FIRST EDITION	N/A	XU	2018/10/11

ORDER NO.	ØD1	ØD2	L1	L2
805000-00-412	1.00mm	4.10mm	3.00mm	1.50mm
805000-00-413	1.00mm	4.10mm	4.00mm	3.00mm



1. MATERIALS AND PLATING

BODY: Passivation of stainless steel
 CONTACT PIN: Beryllium copper with gold 30u" plating
 INSULATOR: PTFE ASTM-D-1710

2. ELECTRICAL CHARACTERISTICS

Impedance: 50 ohm
 Frequency range: 0~18GHz
 Voltage rating: 335V(rms)
 Dielectric withstanding voltage: >750V
 Contact resistance:
 Center contact: <3.0mΩ
 Outer contact: <2.0mΩ
 Insulation resistance: >5000MΩ
 Insertion loss: <0.10 X√f(GHz) dB
 RF-leakage: N/A
 VSWR: <1.30
 3rd Intermodulation: N/A

3. MECHANICAL CHARACTERISTICS

Force to engage and disengage: N/A
 Center contact retention force: >6 lbs
 Recommended coupling torque: N/A
 Coupling nut retention force: >60 lbs
 Durability: >500 cycles

4. ENVIRONMENTAL CHARACTERISTICS

Temperature range: -65°C~+165°C



TITLE:
50ohm, SMA Straight Female 2-Hole Flange Connector

APPROVED:	CUSTOMER P/N:	DRAWING NO.	TOLERANCES ARE:
CHECKED:	SCALE: 5 : 1	ORDER NO. 805000-00-412~413	DECIMALES .x ±0.5 ANGLES x.° ±5.0° .xx ±0.3 .x° ±3.0°
DRAWING: XU	DATE: 2018-10-11	THIRD ANGLE PROJECTION	SIZE: A4 UNITS: mm SCALE: SHEET: 1 OF 1